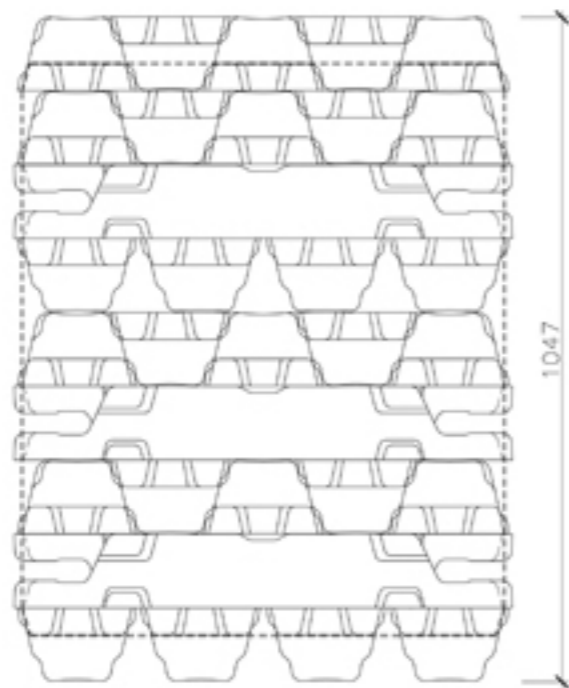
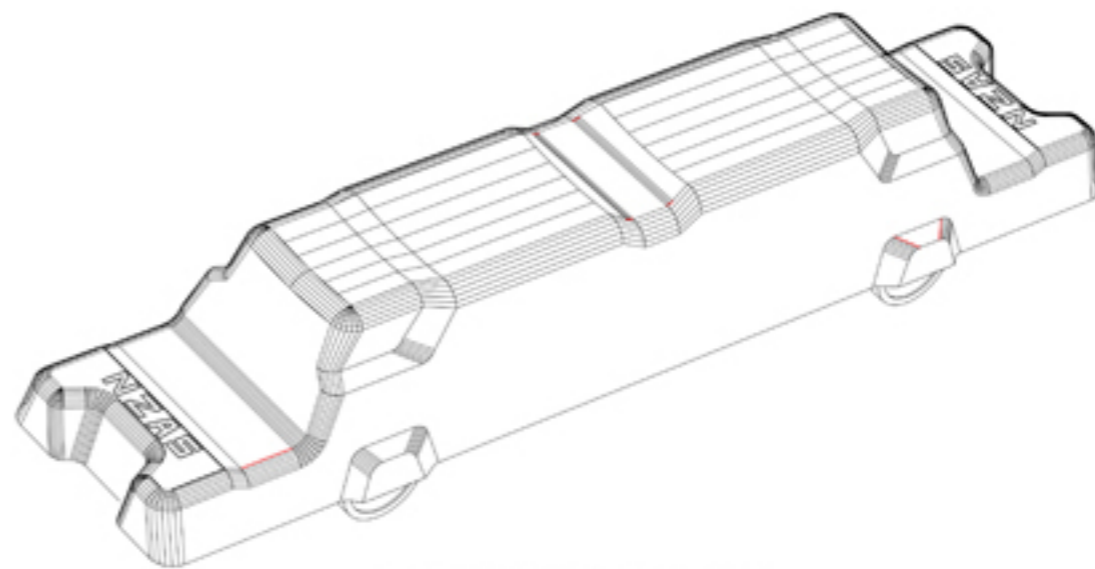


Plan
Scale 1:10

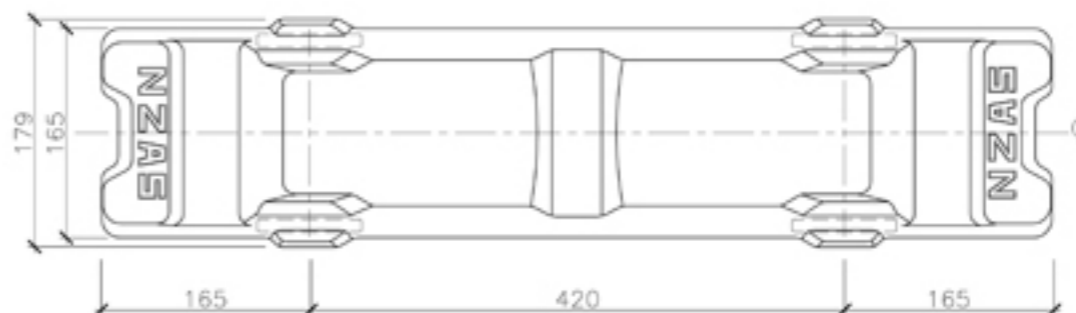


Elevation

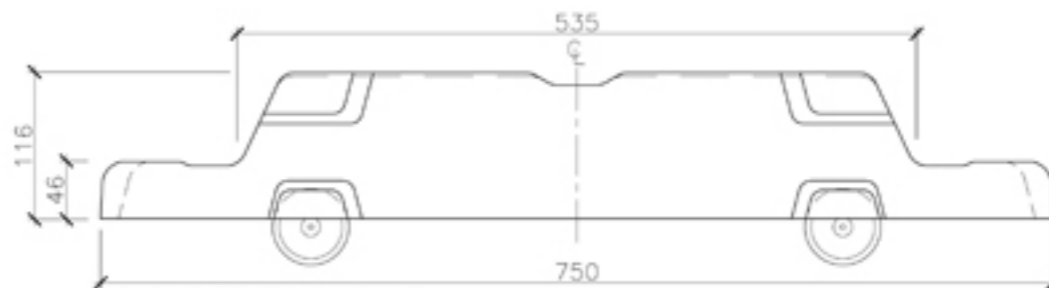
BUNDLE ARRANGEMENT



PERSPECTIVE VIEW



Plan
Scale 1:5



Elevation

SET OUT DIMENSIONS

REV	BY	CHECKED	DATE
02/04	NZL/SM	-	1/04
03/05	NZL/WS	-	1/04
APPROVED	APP'D	DATE	

NZ ALUMINIUM TE WAKA SET OUT DIMENSIONS & BUNDLE ARRANGEMENT			
STATUS	CONSTRUCTION	FILE	-
SHEET	15/9/04	SHEET	1 of 2
© A3 As Shown			

0 50 100 200 mm